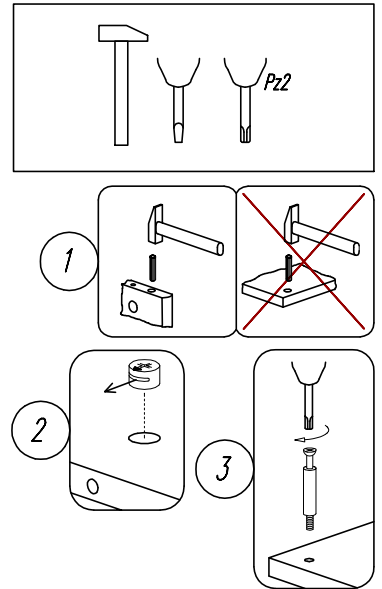
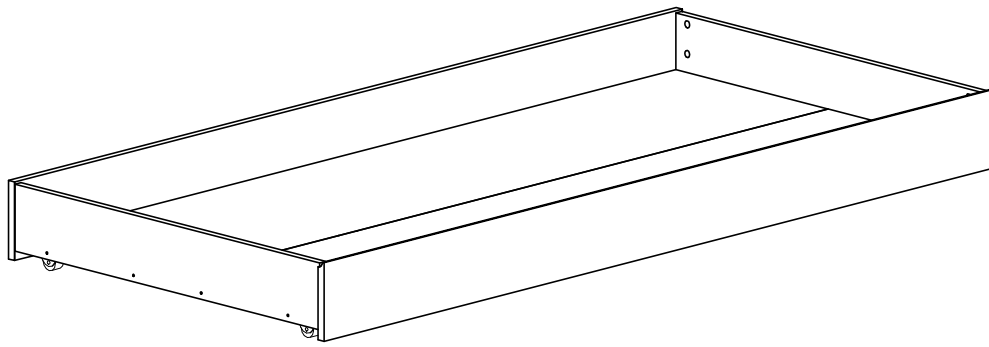
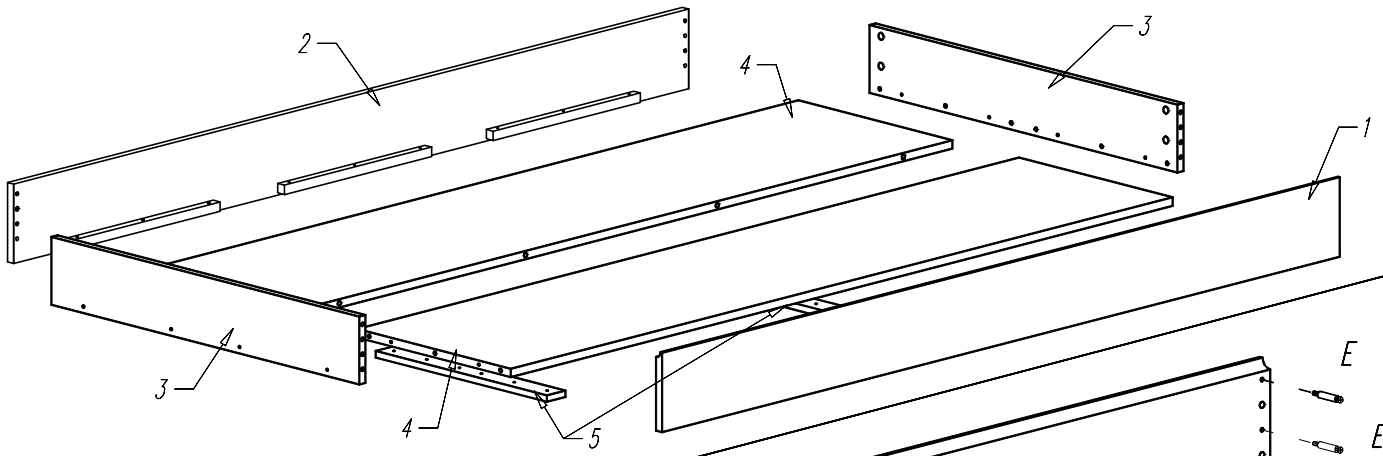


# LARA



A	B	C	D	E	F	G	H	I	
∅10x50	∅8x40	∅8x50	M6/L=34	ST/L=34	∅15	∅3,5x30	∅4,0x16	x7	x1
x4	x20	x8	x4	x4	x8	x30	x14		

LARA-DRAWER 1/2009



! D ≠ E

